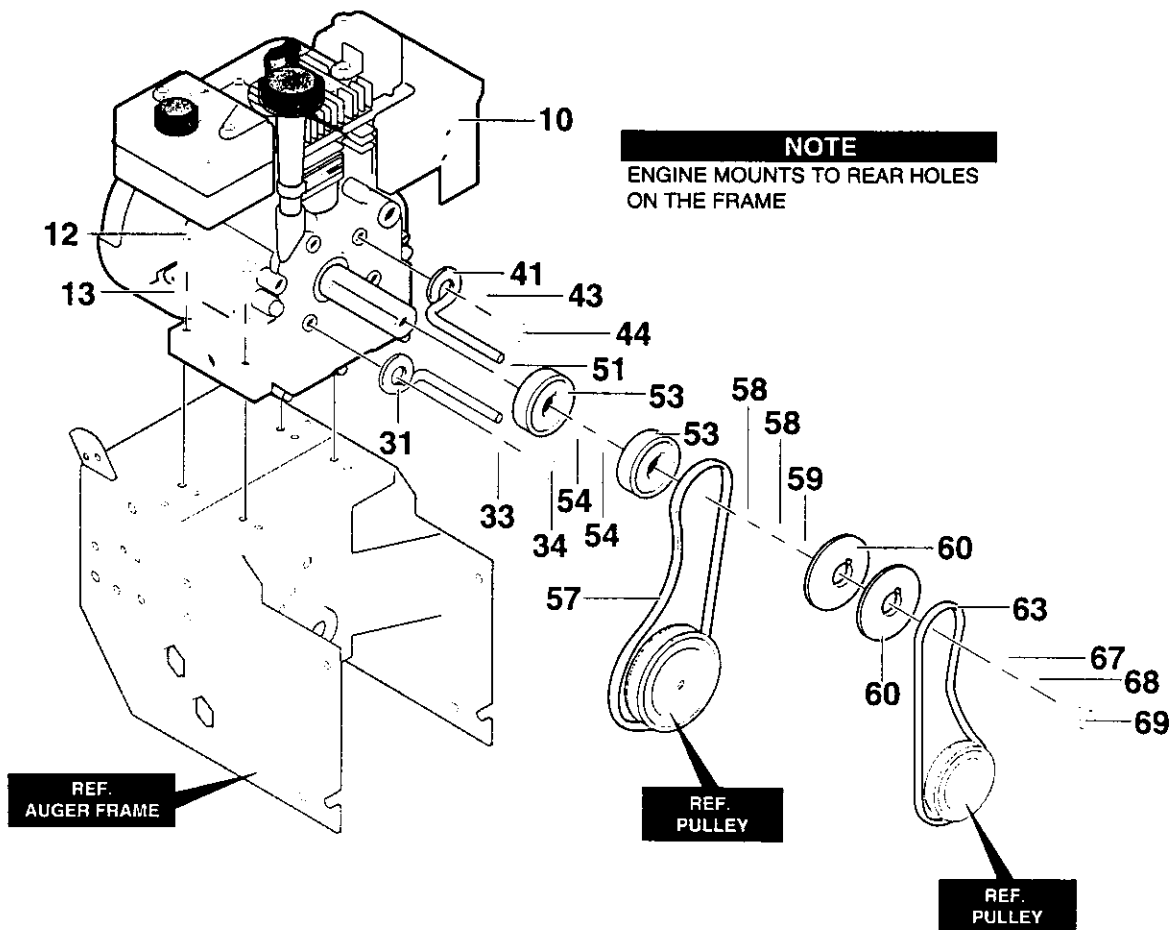


PROD.NO: 968 87 07-10  
 ENGINE: Tecumseh  
 HMSK 100-1592 43U

**SPAREPARTS**  
**107 26 54-64**

**ENGINE ASSEMBLY**



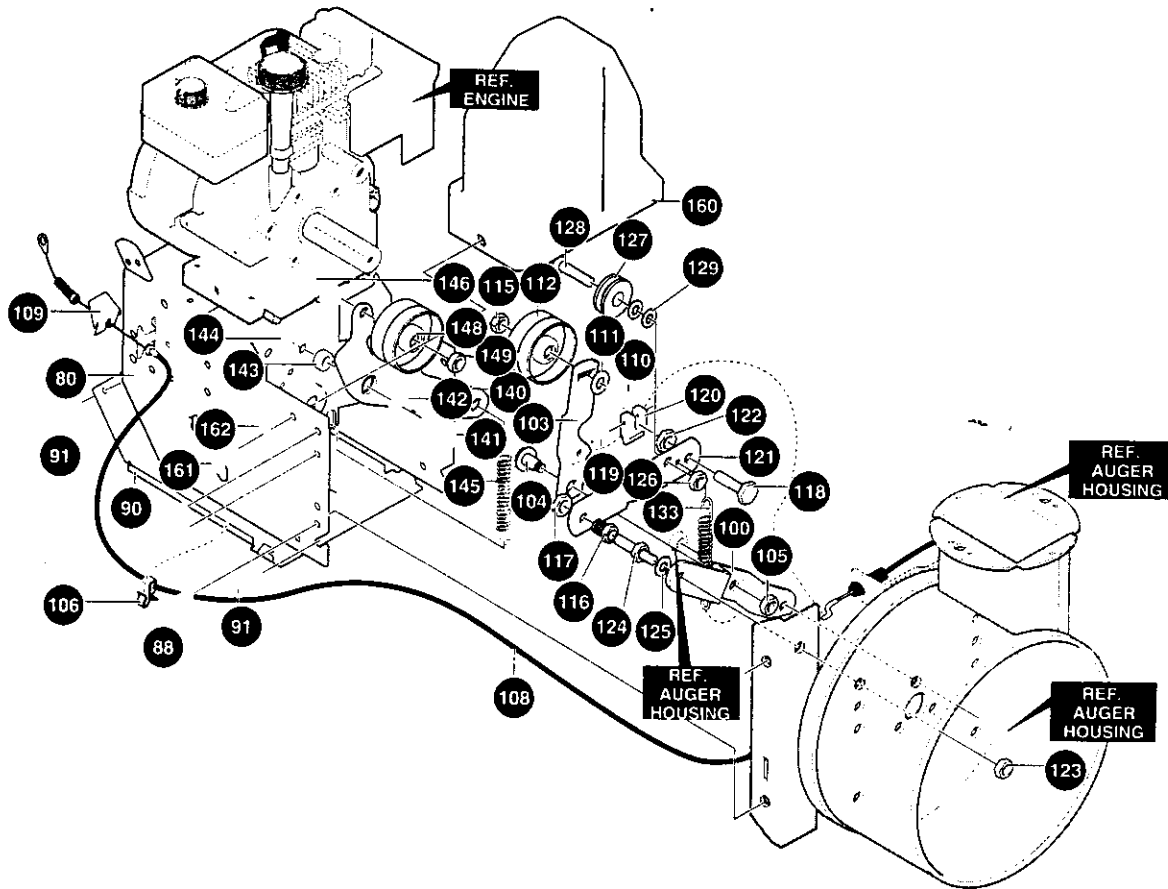
All unnumbered items are interchangeable with opposite side

Note: Always use original equipment parts. Use of service/replacement parts other than original parts may void your warranty.

REF NO.	PART NO.	PART NAME
10	-	ENGINE, 10 HP (See Engine Manual)
12	533 00 95-53	SCREW, 5/16-18
13	810 04 05-00	WASHER, HVSPTLK
31	533 00 39-49	GUIDE, ROD BELT RH
33	810 04 05-00	WASHER, .328X.60X.09
34	533 07 11-48	SCREW, 5/16-24X 1.00
41	533 00 39-49	GUIDE, ROD BELT RH
43	810 04 05-00	WASHER, .328X.60X.09
44	533 07 11-48	SCREW, 5/16-24X 1.00
51	533 57 98-55	WASHER, CRANKSHAFT
53	533 57 98-54	PULLEY, HALF

REF NO.	PART NO.	PART NAME
54	533 57 98-61	WASHER, FLAT .752 X .91 X .02
57	533 57 99-32	BELT, V 3L 33.13LG
58	533 07 38-40	FLATWASHER .765X1.12X.06
59	533 58 62-51	SPACER, SLEEVE
60	533 58 62-53	PULLEY, ENGINE
63	533 58 54-37	BELT, V 4L 38.8LG
67	533 05 06-77	WASHER, FLAT
68	533 07 10-63	WASHER, .393X.68X.10
69	533 07 10-15	SCREW, 3/8-24X1.00

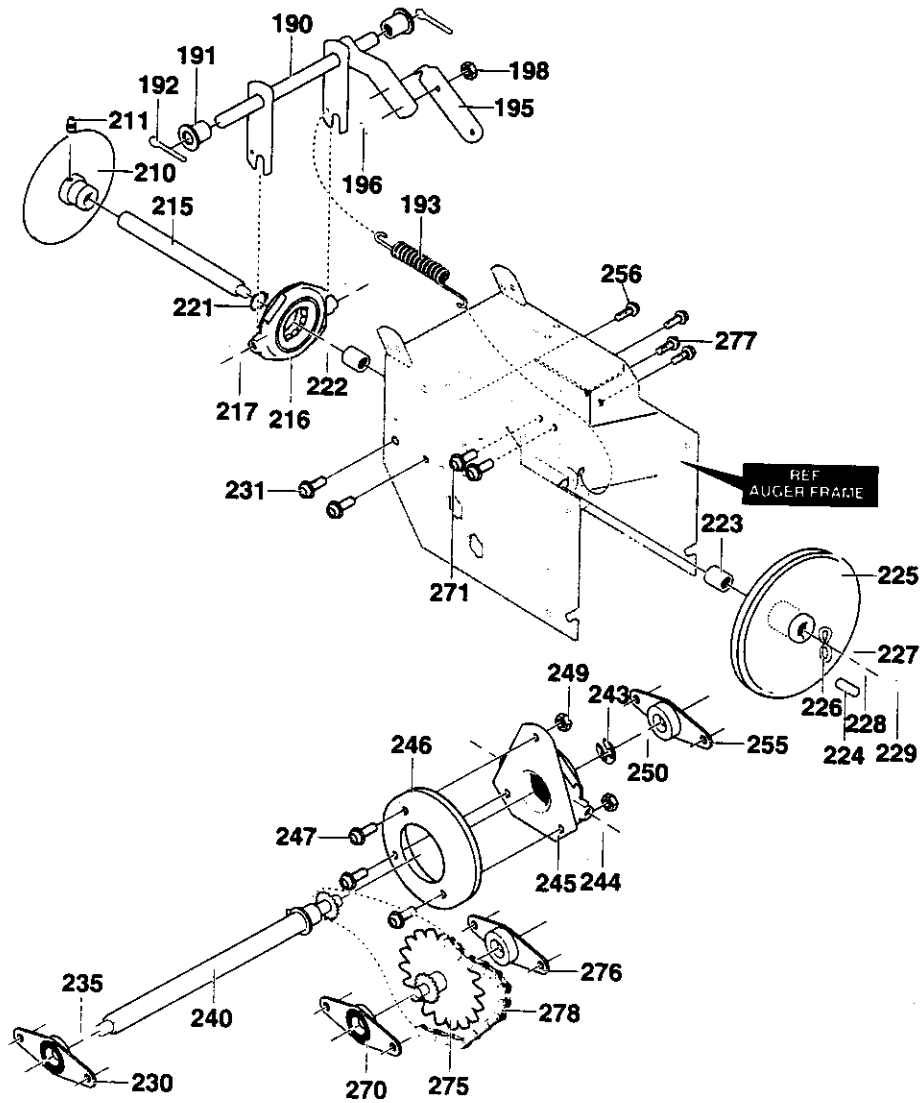
FRAME COMPONENTS ASSEMBLY



REF NO.	PART NO.	PART NAME
80	533 34 03-86	FRAME ASSY
88	533 07 09-82	SCREW, 5/16-18X .50
90	533 58 30-31	COVER, BOTTOM
91	533 07 09-78	SCREW, 1/4-20X .63
100	533 76 11-95	PLATE, CLUTCH ARM
103	533 76 11-96	ARM-CLUTCH CABLE
104	533 71 02-00	BOLT, SH. 3/8-16
105	533 78 00-72	NUT, 3/8-16 REGHXCTRLK
106	533 34 06-82	CLIP, CABLE TINN
108	533 76 11-53	CABLE, AUGER
109	533 34 08-69	SHIELD, CABLE GUARD
110	533 58 57-81	BOLT, 3/8-16X1.25
111	533 99 64-18	WASHER, FLAT .506 X75 X .024
112	533 31 38-43	PULLEY, IDLER
115	533 04 15-29	NUT, 3/8-16
116	533 58 54-70	BOLT, BRAKE ARM
117	533 58 56-08	NUT, 9/16-18 JAMLOCK
118	533 58 54-46	BOLT-BRAKE ARM ADJ.
119	533 07 38-01	PIN SPRING
120	533 58 15-40	PAD, BRAKE
121	533 76 11-97	BRACKET
122	533 58 56-09	NUT, 1/2-20 JAM LOCK
123	873 22 06-00	NUT, 3/8-18 REGHXCTRLK

REF NO.	PART NO.	PART NAME
124	533 71 01-38	STUD, BRAKE ARM
125	533 07 10-63	WASHER, REGSPTLK .393X.68 X .10
126	533 07 38-26	NUT, 1/4-20 REGHEXCTRLK
127	533 04 83-06	PULLEY
128	533 05 83-36	SHOULDER BOLT
129	533 12 03-85	WASHER, FLAT .250 X .56 X .049
133	533 33 90-17	SPRING, IDLER
140	533 57 98-72	LEVER, IDLER ARM TRACTION
141	533 18 00-77	SCREW, 5/16-18X .75
142	533 07 37-95	FLATWASHER, .328X1.25X.075
143	533 57 98-65	BUSHING, IDLER LEVER
144	533 07 10-38	NUT, 5/16-18 HEXNYL
145	533 31 38-54	IDLER SPRING
146	533 18 01-24	SCREW, 3/8-16X1.25
148	533 31 38-43	PULLEY, IDLER
149	533 04 15-29	NUT, 3/8-16
160	533 76 02-18	COVER, BELT
161	533 07 09-78	SCREW, 1/4-20X .63
162	533 07 10-67	FLATWASHER, .281 X .63X.065

### DRIVE COMPONENTS ASSEMBLY

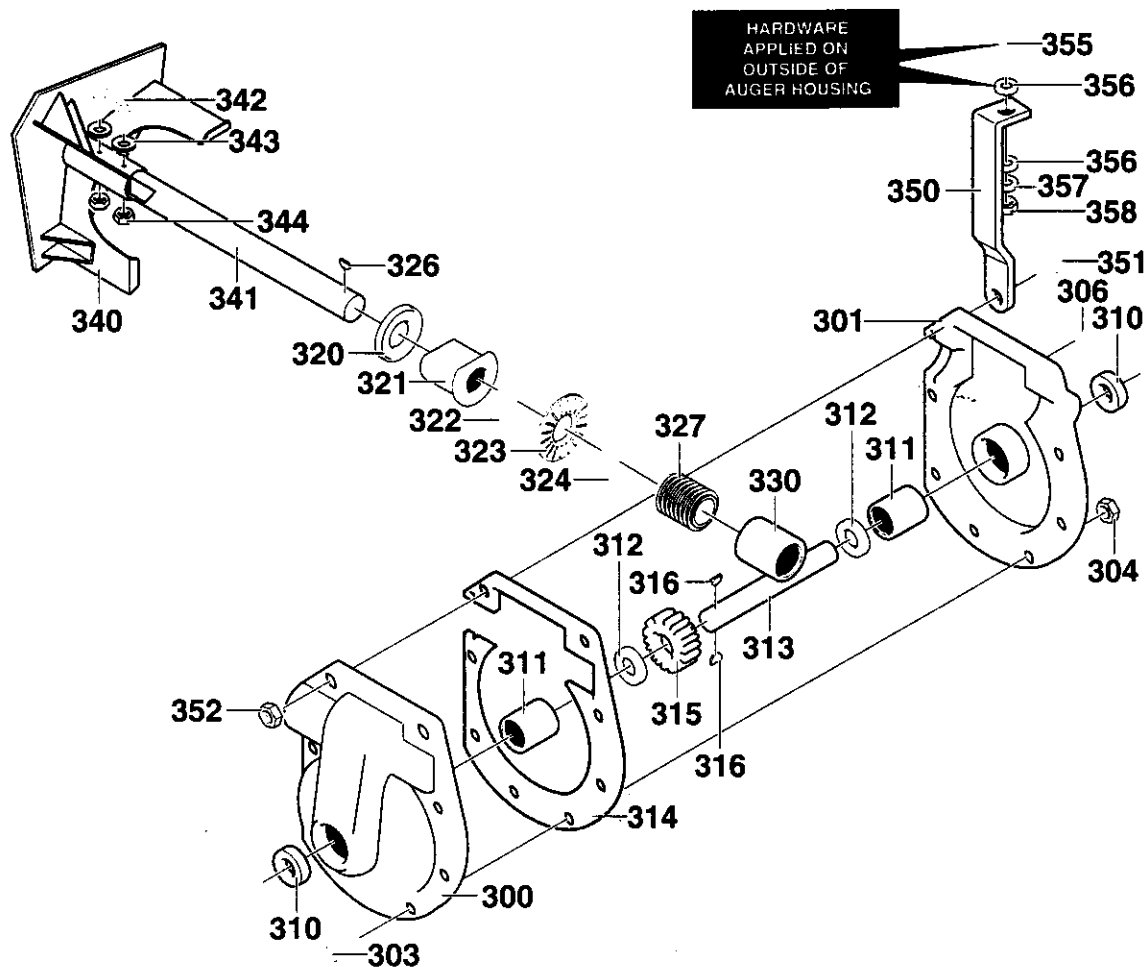


REF NO.	PART NO.	PART NAME
190	533 57 99-41	LEVER, ASSY TRACTION
191	533 31 38-53	BEARING, FLANGE
192	533 13 71-85	PIN, COTTER
193	533 31 39-19	SPRING, RETURN
195	533 57 99-37	LEVER, SPRING
196	533 01 18-71	SCREW, 1/4-20X .63
198	533 07 38-26	NUT, 1/4-20 REGHEXCTRLK
210	533 58 31-63	DISC, ASSY
211	533 58 32-06	ZERK, GREASE
215	533 58 31-55	SHAFT, HEX TRACTION
216	533 08 55-01	BEARING, TRUNION
217	533 07 10-74	FLATWASHER, .53 X1.00X.063
221	533 07 38-11	RING, RETEX
222	533 58 09-69	FLATWASHER, .680X1.12X.060
223	533 04 38-46	BEARING, BALL
224	533 58 09-70	KEY, SQUARE
225	533 58 09-61	PULLEY, V3L 6.50X .56
226	533 58 09-65	WASHER, WAVE
227	533 57 89-62	FLATWASHER, .281X1.00X.063
228	533 12 03-80	WASHER, .263X.49X.07
229	533 18 00-20	SCREW, 1/4-20X .75 HHC

REF NO.	PART NO.	PART NAME
230	533 33 41-63	BEARING & RETAINER
231	533 07 09-82	SCREW, 5/16-18X .50
235	533 57 98-58	WASHER, .502X .75X.0605
240	533 57 98-97	HEX, ASSY#40-8T
243	533 43 56-48	RING, RETEX
244	533 07 10-74	FLATWASHER, .53 X1.00X.063
245	533 33 70-29	BEARING, TRUNION
246	533 31 38-83	WHEEL, ASSY FRICTION
247	533 01 18-71	SCREW, 1/4-20X .63
249	533 07 10-34	NUT, 1/4-20 HEXKEPS
250	533 57 98-58	WASHER, .502X .75X.0605
255	533 33 41-63	BEARING & RETAINER
256	533 07 09-82	SCREW, 5/16-18X .50
270	533 33 41-63	BEARING & RETAINER
271	533 07 09-82	SCREW, 5/16-18X .50
275	533 58 30-10	JACK, ASSY#41-36T&7T
276	533 33 41-63	BEARING & RETAINER
277	533 07 09-82	SCREW, 5/16-18X .50
278	533 57 98-67	CHAIN, ROLLER #42 X 40P

313995K

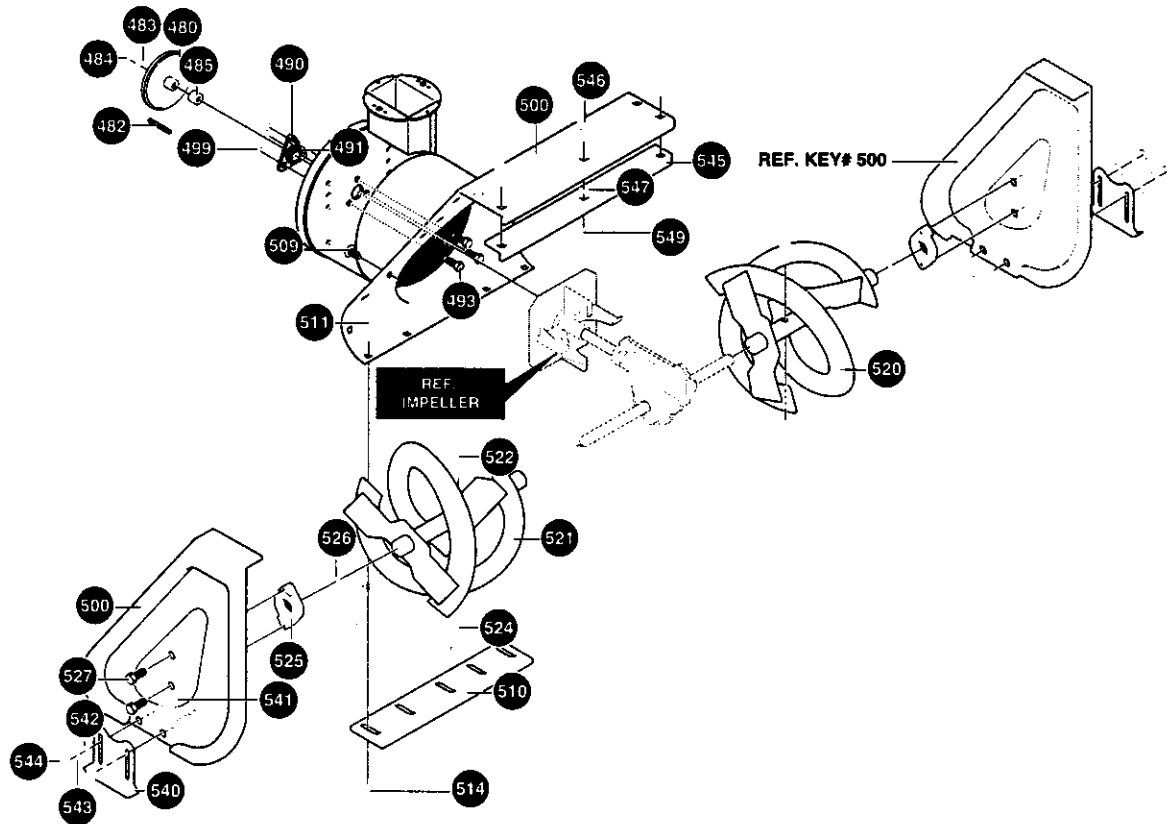
### GEAR CASE ASSEMBLY



REF NO.	PART NO.	PART NAME
300	533 00 08-96	CASE, GEAR RH
301	533 00 08-95	CASE, GEAR LH
303	533 91 08-28	SCREW, 1/4-20X1.00
304	533 07 11-00	NUT, 1/4-24
306	533 31 38-72	PIPE PLUG
310	515 45 37-44	SEAL, OIL
311	533 31 38-70	BEARING, SLEEVE
312	533 31 38-71	WASHER, FLAT
313	533 76 04-11	SHAFT, AUGER
314	533 00 08-97	GASKET, GEAR CASE
315	533 31 38-61	WORM GEAR
316	533 07 39-05	KEY, WDRF #91
320	533 31 39-14	RING, QUAD
321	533 58 31-26	BEARING, FLANGE
322	533 04 82-75	WASHER, FLAT .752X1.24X.093
323	533 31 38-28	BEARING, ROLL
324	533 04 82-75	WASHER, FLAT
326	533 05 07-95	KEY, HI-PRO 606

REF NO.	PART NO.	PART NAME
327	533 31 38-62	WORM GEAR
330	533 05 37-31	BEARING, SLEEVE
340	533 76 01-89	IMPELLER, ASSY
341	533 58 55-46	SHAFT, WORM
342	533 57 70-15	SCREW, 1/4-20X2.25
343	533 07 10-67	WASHER, FLAT .281X .63X.065
344	533 07 38-26	NUT, 1/4-20 REGHEXCTRLK
350	515 40 55-24	BRACE, GEAR BOX
351	515 40 14-41	SCREW, 5/16-24X1.75
352	533 07 11-00	NUT, 5/1624HEXWDFLLK
355	533 30 26-36	SCREW, 5/16-18X1.25
356	533 12 03-93	WASHER, FLAT .344X .69X.065
357	810 04 05-00	WASHER, HVSPTLK .328X.60X.09
358	873 68 05-00	NUT, 5/16-18 REGHEX

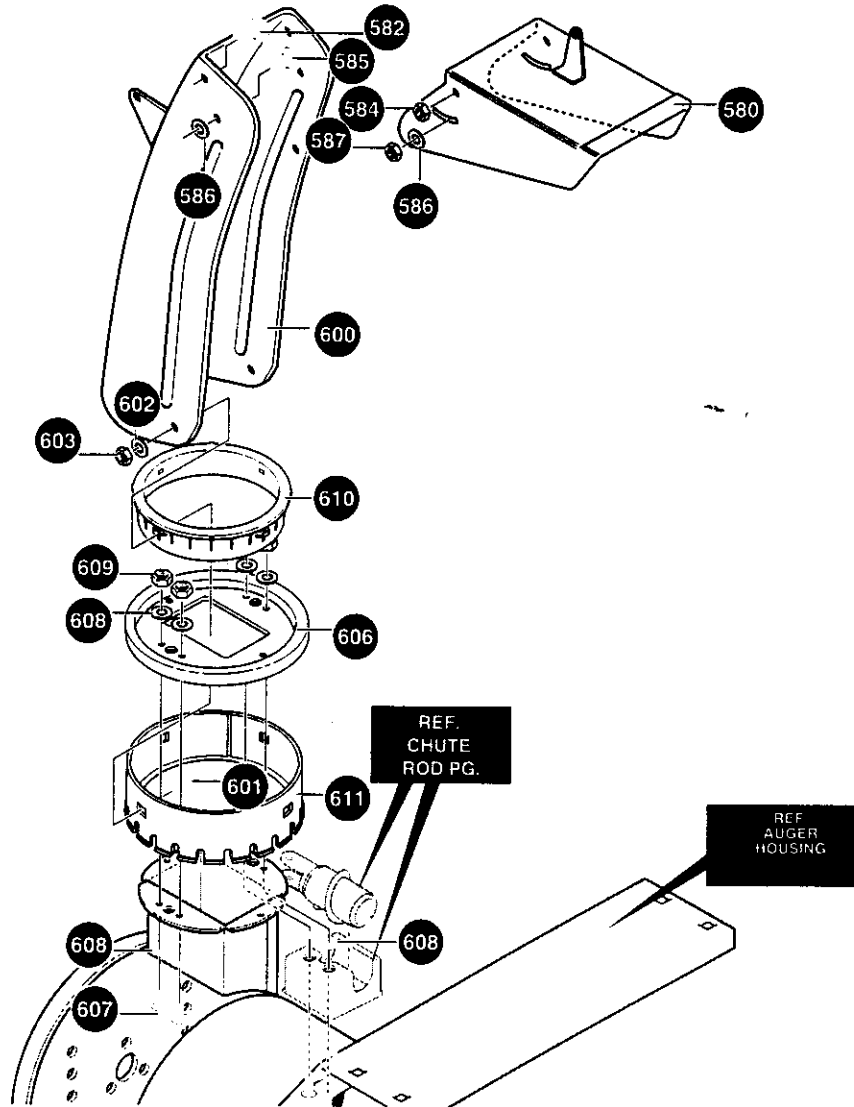
### AUGER HOUSING ASSEMBLY



REF NO.	PART NO.	PART NAME
480	533 58 31-46	PULLEY, V4L 8.40 OD
482	533 07 13-71	KEY, SQUARE
483	533 07 10-74	WASHER, FLAT .53 X1.00X.063
484	533 00 52-51	NUT, 1/2-20 REGHXCTRLK
485	533 33 45-14	SPACER, SLEEVE
490	533 58 29-60	RETAINER, BALL BRNG
491	533 04 38-46	BEARING, BALL
493	533 18 00-77	SCREW, 5/16-18X .75
499	873 68 05-00	NUT, 5/16-18 HEXWDFLLK WHIZ
500	533 76 06-69	AUGER HOUSING
509	533 76 00-40	PLUG
510	533 76 06-68	BLADE, SCRAPER LF 33"
511	533 34 07-20	BOLT, 5/16-18X.75
514	873 68 05-00	NUT, 5/16-18 HEXWDFLLK WHIZ
520	533 76 03-17	AUGER, 33" LH LF
521	533 76 03-07	AUGER, 33" RH LF
522	515 57 86-47	SHOULDER BOLT, 5/16-18

REF NO.	PART NO.	PART NAME
524	515 47 13-91	NUT, 5/16-18 REGHEXCTRLK
525	533 31 38-73	AUGER SHAFT BEARING
526	533 07 37-55	WASHER, FLAT 1.005X1.31X.035PL
527	533 78 29-67	SCREW, 5/16-18X .88
540	533 08 51-05	SKID, HEIGHT ADJ
541	872 14 06-06	BOLT, 5/16-18X .75 CARRLN
542	734 11 62-71	WASHER, FLAT .344X .69X.065
543	810 04 05-00	WASHER, HVSPTLK .328X.60X.09
544	873 68 05-00	NUT, 5/16-18 REGHEX
545	533 76 07-17	STIFFENER, 33"
546	872 14 06-06	BOLT, 5/16-18X .75
547	734 11 62-71	WASHER, FLAT .344X .69X.065
549	873 68 05-00	NUT, 5/16-18 HEXWDFLLK WHIZ

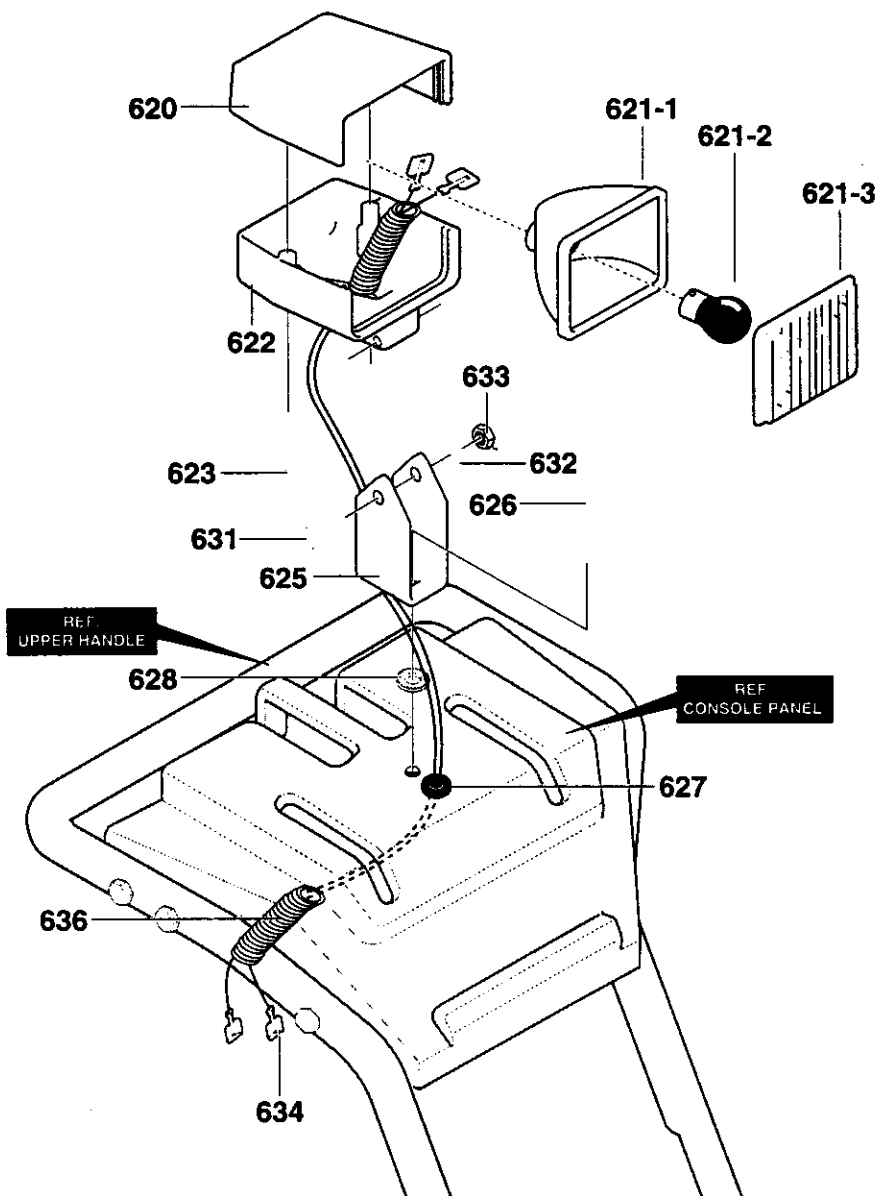
### DISCHARGE CHUTE ASSEMBLY



REF NO.	PART NO.	PART NAME
580	533 76 11-68	UPPER CHUTE
582	533 07 11-47	SCREW, 5/16-18X .75
584	533 07 10-38	NUT, 5/16-18 NYLON
585	533 57 90-88	SCREW, 5/16-18X .75
586	533 00 67-11	PLASTIC WASHER
587	533 07 10-38	NUT, 5/16-18 NYLON
600	533 76 13-29	CHUTE, LOWER
601	533 58 62-80	BOLT, 5/16-18X1.00
602	734 11 62-71	FLATWASHER .344X .69X.065
603	533 07 10-38	NUT, 5/16-18
606	533 58 52-14	COLLAR, CHUTE
607	533 57 90-52	SCREW, 1/4-20X .75

REF NO.	PART NO.	PART NAME
608	533 07 10-67	FLATWASHER .281X .63X.065
609	533 07 38-26	NUT, 1/4-20
610	533 33 72-27	RETAINER, RING INNER
611	533 58 51-93	RETAINER, RING OUTER

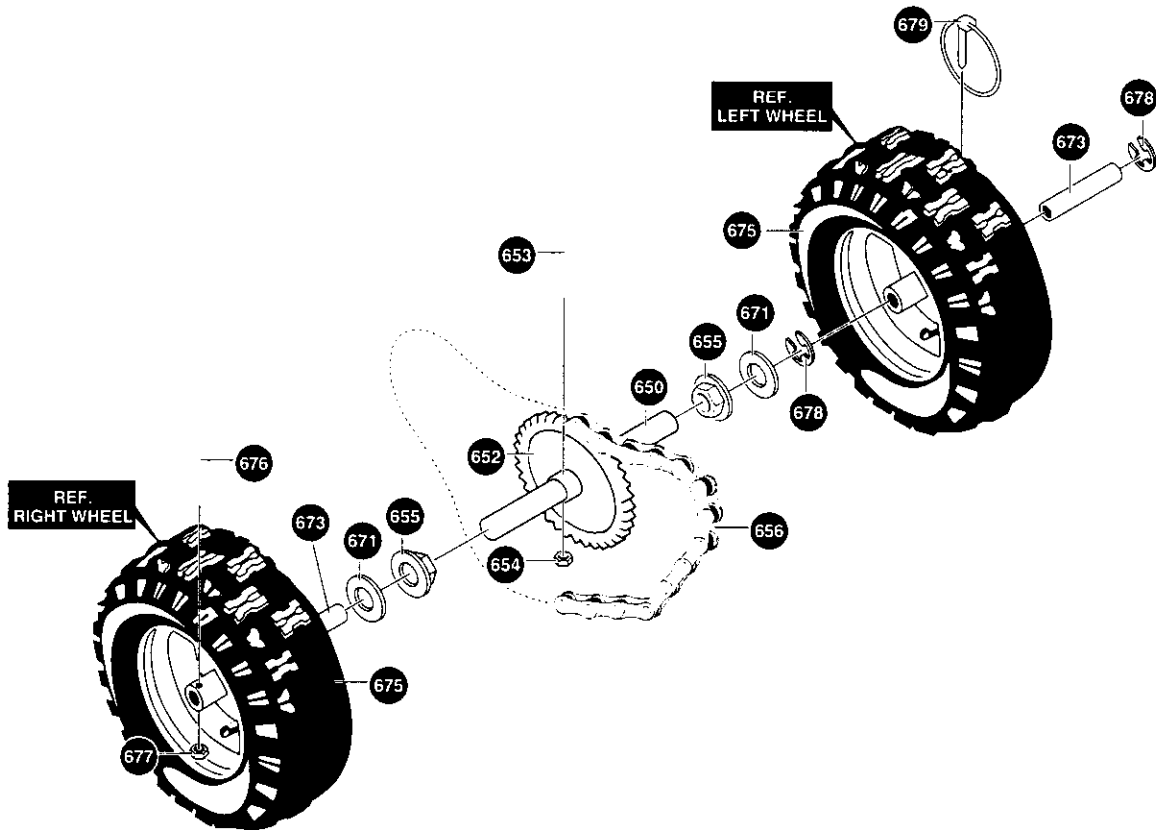
# HEADLIGHT ASSEMBLY



342969A

REF NO.	PART NO.	PART NAME
620	533 58 34-90	HOUSING, HEADLIGHT UPPER
621-1	533 57 92-68	HOUSING, LIGHT
621-2	533 58 15-76	BULB, HEADLIGHT
621-3	533 57 92-66	LENS
622	533 58 34-91	HOUSING, HEADLIGHT LOWER
623	533 58 34-05	SCREW, 10-9 X1.75 PHPNPLAST
625	533 40 40-30	BRACKET, HEADLIGHT
626	515 40 40-30	BOLT, 5/16-18X1.75
627	533 00 01-48	GROMMET, EYE BOLT
628	533 71 01-81	WASHER, EXLK .320X.61X.03
631	533 18 00-44	SCREW, 1/4-20X2.00 HHC
632	810 04 05-00	WASHER, HVSPTLK.328X.60X.09
633	873 68 05-00	NUT, 5/16-18 REGHEX
634	533 30 77-67	WIRING HARNESS, LIGHT
636	533 00 86-36	CONDUIT, SPLIT PLASTIC

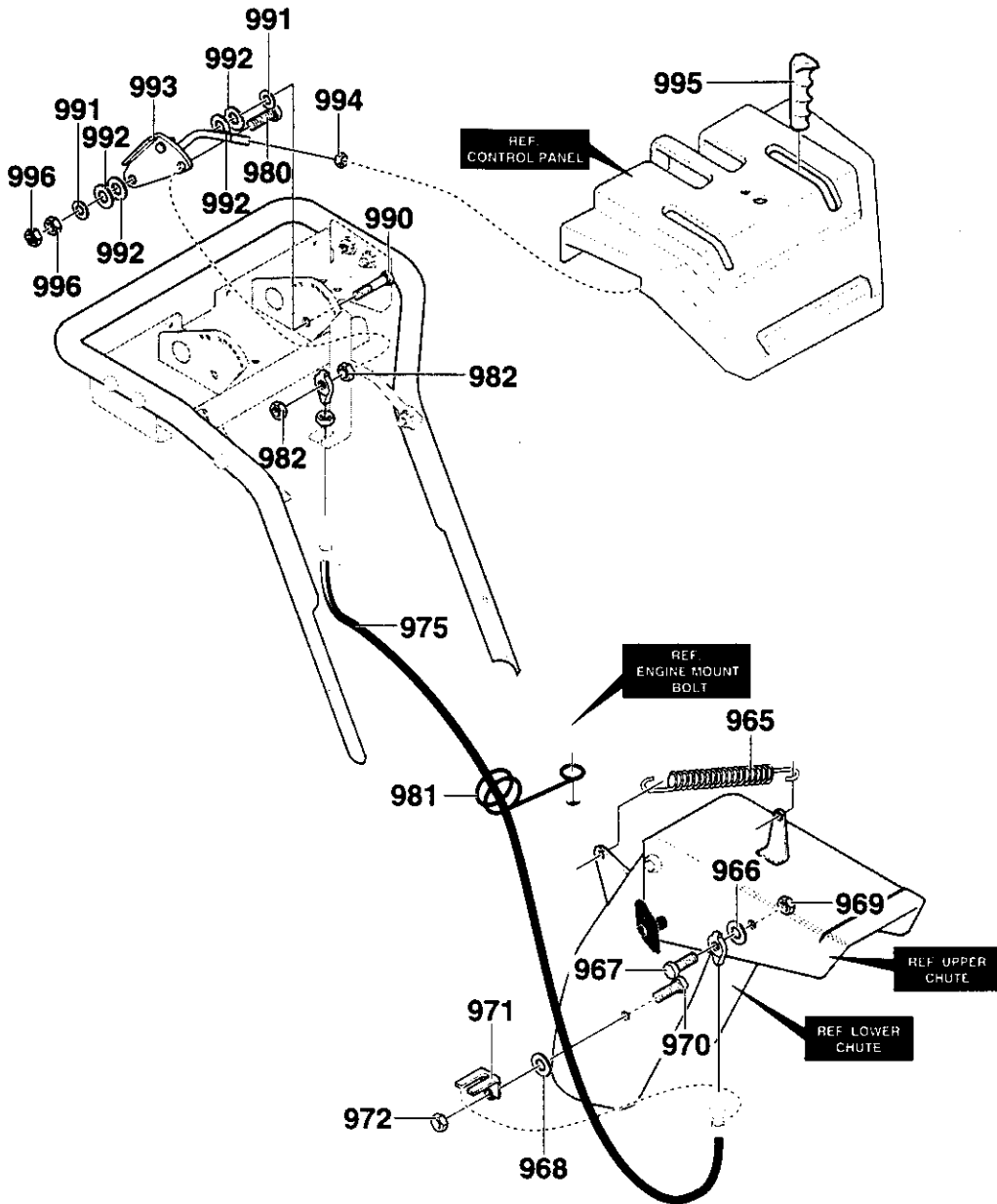
## WHEELS ASSEMBLY



REF NO.	PART NO.	PART NAME
650	533 58 30-17	SHAFT, AXLE
652	533 58 30-07	SPRKT & HUB
653	533 07 38-39	SCREW, 1/4-20X2.25
654	533 07 10-35	NUT, 1/4-20
655	533 58 17-30	BRNG, FLANGE
656	533 58 30-13	CHAIN, ROLLER
671	533 00 61-04	FLATWASHER .765X1.12X.06
673	533 58 55-91	BUSHING, WHEEL
675	533 58 45-35	TIRE & RIM
676	533 57 70-15	SCREW, 1/4-20X1.75 HH
677	533 07 38-26	NUT, 1/4-20 REGHXCTRLK
678	533 00 02-39	RING, RET
679	533 07 38-42	PIN, KLIK .25 X 1.38 DIA



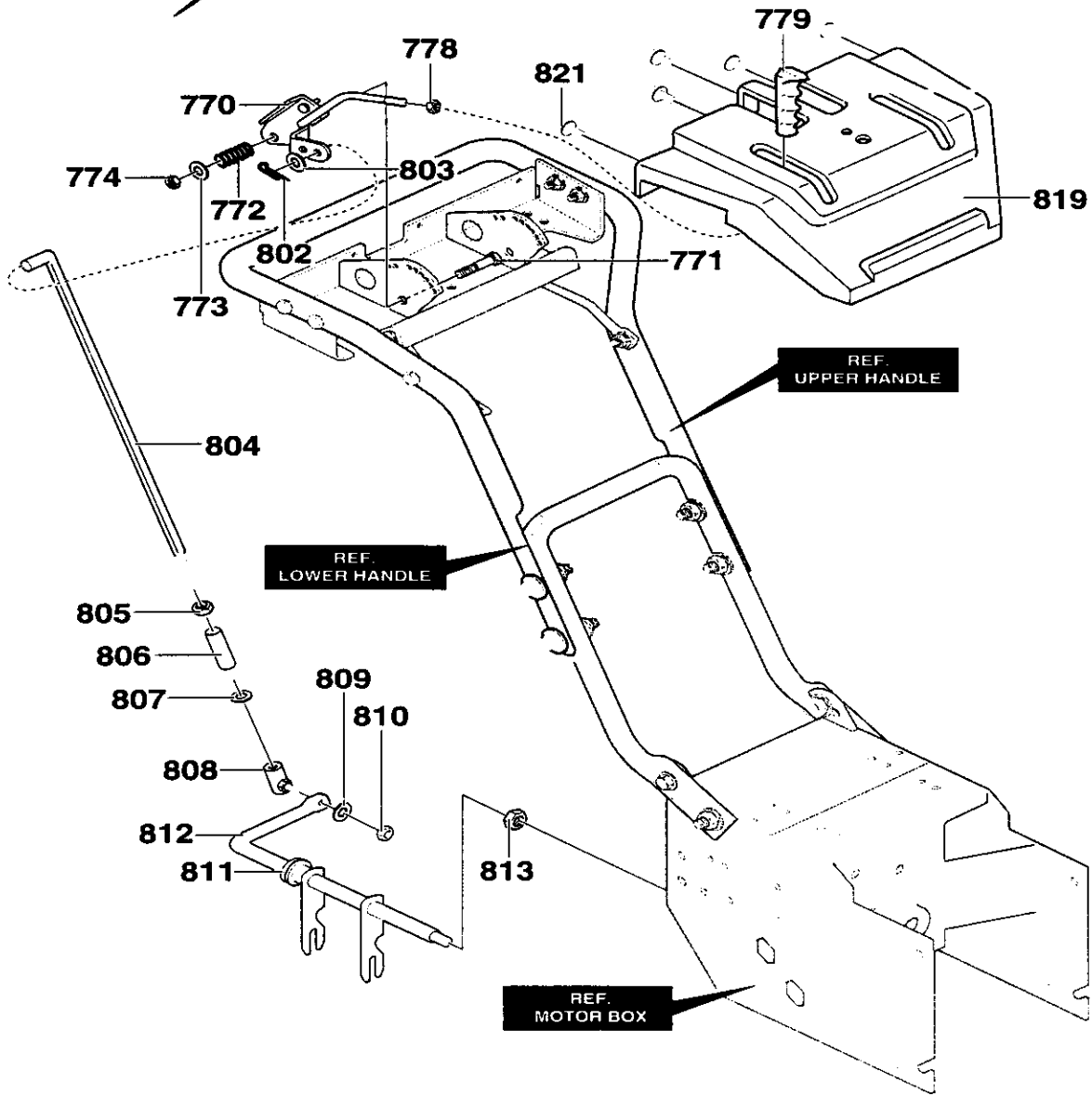
### REMOTE CHUTE CONTRTOL ASSEMBLY



REF NO.	PART NO.	PART NAME
965	533 78 02-07	SPRING, TENSION
966	533 12 03-85	WASHER, FLAT .250X.56
967	533 07 09-69	SHOULDER BOLT, 1/4 20
968	734 11 62-71	WASHER, FLAT .344X .69X.065
969	533 07 10-35	NUT, 1/4-20 REGHEXCTRLK
970	533 18 00-77	SCREW, 5/16-18X .75
971	533 78 00-66	BRACKET, CABLE CHUTE
972	515 47 13-91	NUT, 5/16-18 REGHEXCTRLK
975	533 76 11-31	CABLE, CHUTE CONTROL RH
980	874 78 06-28	SCREW, 1/4-20X .75 HHC

REF NO.	PART NO.	PART NAME
981	533 78 02-20	WIRE FORM
982	533 07 10-35	NUT, 1/4-20 REGHEXCTRLK
990	874 78 06-28	SCREW, 3/8-16X1.75 HHC
991	533 07 10-72	WASHER, FLAT .406X .81X.065
992	515 40 40-51	WASHER, SPRING. 392X1.06X.082
993	515 40 64-38	HANDLE, ASSY REMOTE
994	533 12 48-29	NUT, 3/8-16 HEXJAM
995	533 30 47-28	HANDLE, 3/8-16
996	873 68 06-00	NUT, 3/8-16 HEXNYL

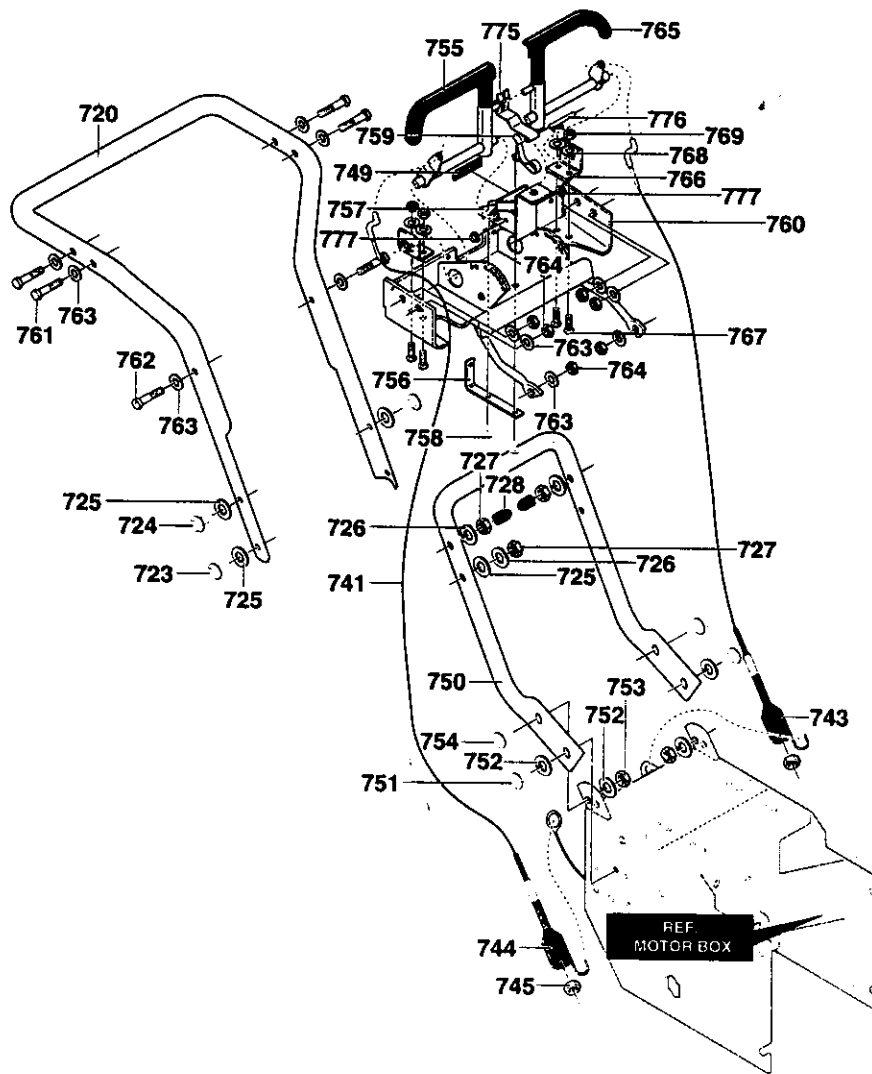
PANEL ASSEMBLY



REF NO.	PART NO.	PART NAME
770	533 78 06-21	LEVER SPEED CONTROL
771	874 78 06-28	SCREW, 3/8-16X1.75 HHC
772	533 31 38-42	SPRING
773	533 07 10-72	WASHER, FLAT .406X .81X.065
774	873 68 06-00	NUT, 3/8-16 HEXNYL
778	533 12 48-29	NUT, 3/8-16 HEXJAM
779	533 30 47-28	HANDLE, 3/8-16
802	873 02 03-12	PIN, COTTER
803	734 11 62-71	WASHER, FLAT .344X .69X.065
804	533 76 12-65	ROD, SPEED CONTROL
805	515 47 10-42	NUT, 5/16-24 REGHEX
806	515 40 63-52	ADAPTOR, ROD

REF NO.	PART NO.	PART NAME
807	810 04 05-00	WASHER, HVSPTLK .328X.60X.09
808	533 31 38-41	STEEL BALL JOINT
809	810 04 05-00	WASHER, HVSPTLK .328X.60X.09
810	515 47 10-42	NUT, 5/16-24 REGHEX
811	533 57 99-44	BEARING, FL ANGE
812	533 33 74-36	ROD, ASSY
813	533 07 11-11	NUT, 3/8-16 REGHXCTRLK
819	533 58 56-71	CONSOLE, PANEL
821	533 07 09-78	SCREW, 1/4-20X .63

# HANDLE ASSEMBLY

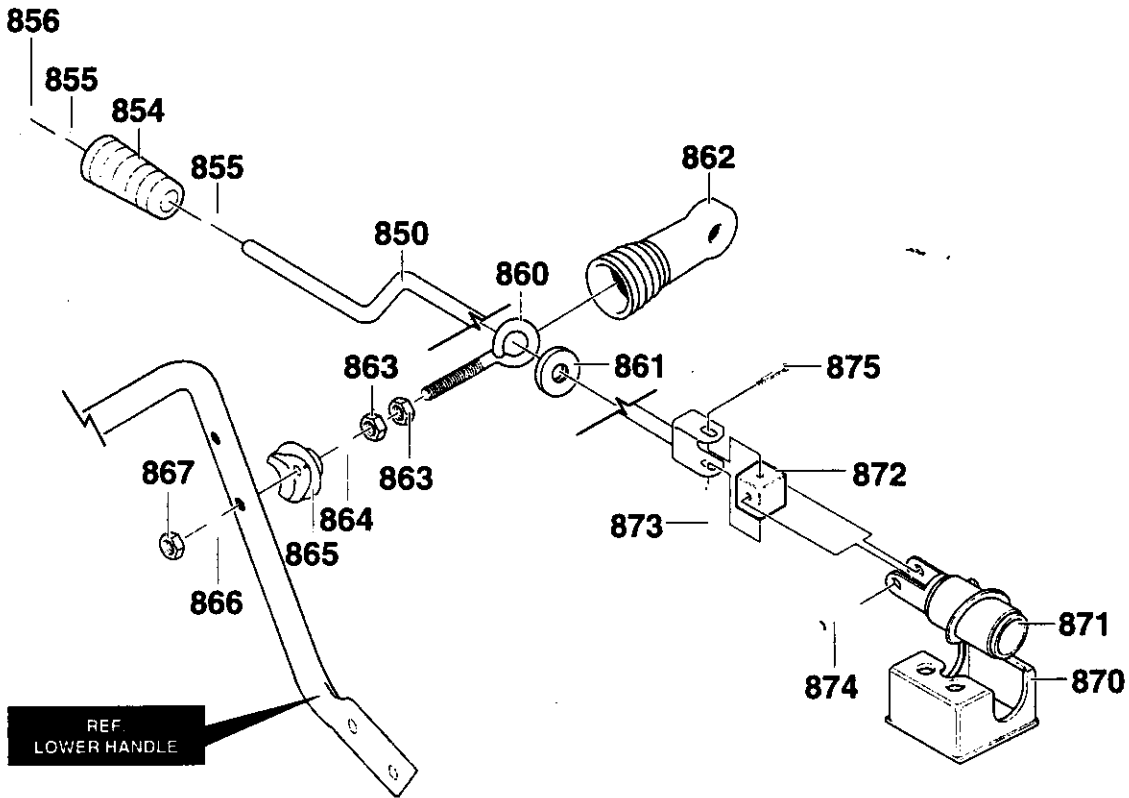


REF NO.	PART NO.	PART NAME
720	533 00 71-14	HANDLE, UPPER
723	874 78 06-28	SCREW, 3/8-16X2.00 HHC
724	874 78 06-48	SCREW, 3/8-16X3.00
725	533 07 10-72	WASHER, FLAT .406X .81X.065
726	810 04 06-00	WASHER, REGSPTLK. 393X.68X.10
727	873 22 06-00	NUT, 3/8-16 REGHXCTRLK
728	533 00 72-89	STOP, PLASTIC
741	533 76 11-77	CABLE, CLUTCH 30.50"
743	533 57 98-69	SPRING, TENSION
744	515 40 16-73	SPRING, AUGER CLUTCH
745	533 07 10-35	NUT, 1/4-20 REGHEXCTRLK
749	515 57 88-57	PAD, RUBBER
750	533 00 55-43	LOWER HANDLE
751	874 78 05-12	SCREW, 5/16-18X .88
752	810 04 05-00	WASHER, HVSPTLK .328X.60X.09
753	873 68 05-00	NUT, 5/16-18 REGHEXCTRLK
754	874 78 05-12	SCREW, 5/16-18X .88
755	533 76 14-13	LEVER, CLUTCH HANDLE RH
756	515 40 64-88	BRACKET, CONSOLE SUPPORT
757	533 57 86-56	BRACKET, LIGHT

REF NO.	PART NO.	PART NAME
758	533 07 09-82	SCREW, 5/16-18X.50
759	515 57 86-53	SPRING, CAM ASSIST
760	533 90 64-42	BRACKET, CONSOLE
761	515 47 09-89	SCREW, 5/16-18X1.75
762	874 78 05-28	SCREW, 5/16-18X2.00
763	533 07 10-72	WASHER, FLAT .406X .81X.065
764	515 47 13-91	NUT, 5/16-18 REGHEXCTRLK
765	533 76 14-12	LEVER, CLUTCH HANDLE LH
766	515 40 64-48	BRACKET, CLUTCH HANDLE
767	515 47 09-67	SCREW, 1/4-20X .50 HHC
768	533 07 10-59	WASHER, REGSPTLK 263X.49X.07
769	533 07 10-34	NUT, 1/4-20 REGHEX
775	533 00 84-17	CAM LOCK,
776	533 58 46-73	PIN, SPRING PIVOT
777	533 07 36-64	NUT, PUSH ON 3/8"

342976A

CHUTE CRANK ASSEMBLY



REF NO.	PART NO.	PART NAME
850	533 58 54-26	CRANK, ASSY
854	533 30 73-99	HANDLE, CHUTE CRANK
855	533 30 93-12	WASHER, FLAT .39 X .70X.05
856	533 57 81-59	RING, RET E.
860	533 58 18-18	BOLT, EYE 3/8-16X6.00
861	533 00 01-48	GROMMET, EYE BOLT .
862	533 30 81-45	BOOT, EYEBOLT
863	515 47 10-45	NUT, 3/8-16 HEXJAM
864	533 07 10-72	WASHER, FLAT .406X .81X.065
865	533 30 93-44	ADAPTER, BOOT

REF NO.	PART NO.	PART NAME
866	533 07 10-72	WASHER, FLAT .406X .81X.065
867	873 22 06-00	NUT, 3/8-16 HEXNYL
870	533 58 51-95	BRACKET, WORM
871	533 58 51-96	WORM, GEAR
872	533 57 80-63	BLOCK, UNIVERSAL
873	533 57 83-09	PIN, CLEVIS .25DX1.094
874	533 57 80-60	PIN, UNIVERSAL JOINT
875	533 57 94-93	PIN, COTTER .06X .50